

GlassCraft Buffalo Forge Steel Doors

Pre-hung Entry Order Form 2012

Copy this form and email to:
 doorsales@glasscraft.net
 or fax to: 713-690-2919

Use this form to order any Buffalo Forge pre-hung entryway that is shown in our Buffalo Forge Catalog, or to order a custom Buffalo Forge pre-hung entryway. Be sure to use the stock number shown under the product drawing from the catalog, or your "CQTE" Custom Quote Number.

Company Name _____

Address _____

City, State, Zip _____

Contact Name _____ PO Number _____

Telephone _____ Contact's Email _____

Entryway Stock Number (from Buffalo Forge Catalog) (_____)

OR

CQTE Custom Quotation Number (from quote) (_____) (Skip to Section 2 if you have a quote.)

Section 1 – Size Information (If you have a CQTE Number – Skip to Section 2)

Door Width is 36"

(Refer to sizes listed in price lists for availability of specific door widths for each entry configuration.)

Glass Selection: Clear Rain Glue Chip

Section 2 – Pre-finish Information

Finish Color? Antique Black Antique Bronze Antique Pewter

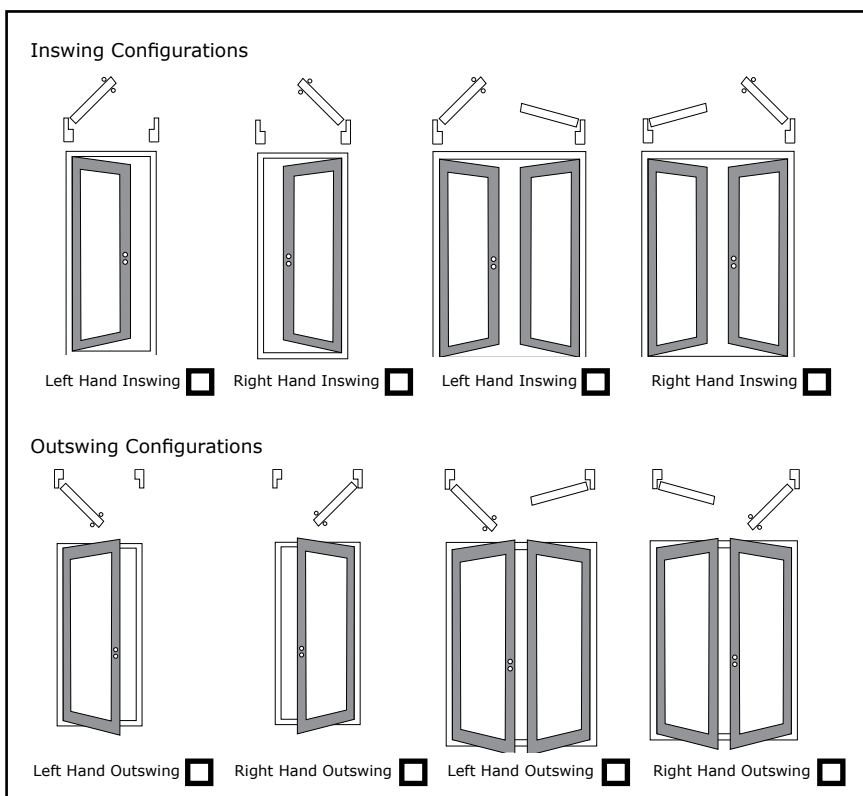
Section 3 – Pre-hang Information (Refer to our door handing chart below to select your handing option.)

Sill Color is Bronze.

Jamb Width? 4 5/8"
 6 5/8"

All active doors are double bored
 2 1/8" diameter center-to-center
 distance is 5 1/2", with a 2 3/4" backset.

All doors are viewed from exterior.



Additional Information or Special Instructions

GlassCraft Door Company does not warranty the installation and alignment of any Buffalo Forge Door unit. All units have been fully assembled and the complete door panel, frame and glass panel operation and alignment is certified to be within all manufacturer's specifications.

I understand that GlassCraft Door Company is not responsible for the installation, job site operation and alignment of this Buffalo Forge order.

Shipping Information

- Entry will be picked up from GlassCraft assembled
- Entry will be shipped knocked down and crated
- See price list for shipping and crating charge information.

GlassCraft Use Only

Received On _____

Confirmed On _____

Price Quotation _____

Estimated Ship Date _____

CSR Initials _____

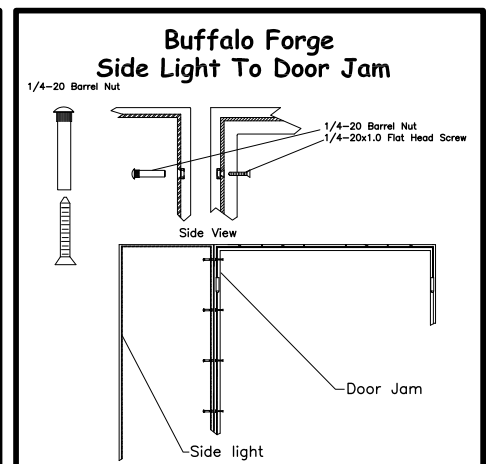
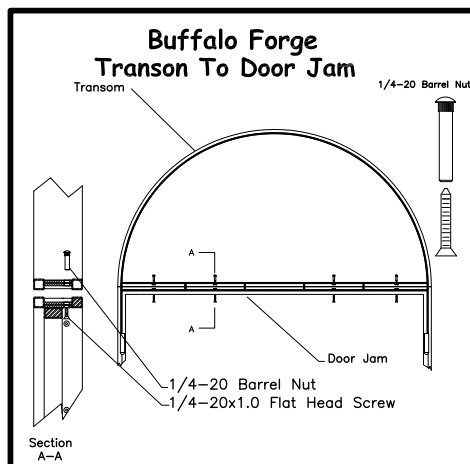
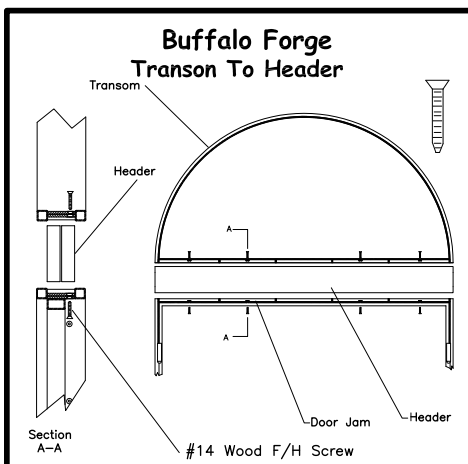
I accept this order.

Signature _____

Date _____

Please note that changes or cancellations made to this order after signed confirmation is received by GlassCraft may result in additional charges.

Buffalo Forge Transom & Sidelite Installation Instructions



If ordering a transom, please check the box of the installation method to be used.