

# GlassCraft Hardwood Standard or Custom Pre-hung Entry Order Form 2012

Copy this form and email to:  
doorsales@glasscraft.net  
or fax to: 713-690-2919

Use this form to order any standard pre-hung entryway that is shown in any of our catalogs, or to order a custom pre-hung entryway. Be sure to use the stock number shown under the product drawing from the catalog or your custom "CQTE" quote number.

Company Name \_\_\_\_\_

Address \_\_\_\_\_

City, State, Zip \_\_\_\_\_

Contact Name \_\_\_\_\_ PO Number \_\_\_\_\_

Telephone \_\_\_\_\_ Contact's Email \_\_\_\_\_

Windstorm Approved?  No (Standard)  Yes (CAUTION: Windstorm product may extend leadtime and/or increase price.)

Entryway Reference Number from Catalog \_\_\_\_\_ Catalog Name \_\_\_\_\_ Page Number \_\_\_\_\_

**OR**

CQTE Custom Quotation Number \_\_\_\_\_ (skip to Section 2 if you have a CQTE Quote Number)

## Section 1—Size Information

Door Width:  30"  32"  36"  Other \_\_\_\_\_ (custom products only)  
(Refer to sizes listed in price lists or catalog for availability of specific door widths for each Entry Configuration.)

Sidelite Width:  12"  14"  Other \_\_\_\_\_ (custom products only)  
(Refer to sizes listed in price lists or catalog for availability of specific sidelite widths for each Entry Configuration.)

Panel Came Color:  Black  Satin Nickel  Oil Rubbed Bronze  
(If applicable for doors with leaded glass—TDL doors and solid doors (no glass) will not have a Came Color choice.)

Wood Species:  Mahogany  Knotty Alder

## Section 2—Pre-finish Information

Pre-finished unit  Yes  No (unfinished unit)

If yes, which finish?  Traditional Finish  Distressed Finish

Wood Finish Color?  Executive Cherry  Cinnamon Red  Winter White  
 Canyon Brown  Sierra Brown  Natural

Wrought Iron Finish Color?  Black  Antique Bronze  Antique Pewter

## Section 3—Pre-hung Information

Pre-hung?  No (Slab only go to back page)

Yes

Jamb Width?  4<sup>5</sup>/<sub>8</sub>"  6<sup>5</sup>/<sub>8</sub>"  Other \_\_\_\_\_ (custom products only)

Sub Casing?  Yes  No (S4S 3/4" X 3 1/2" Stocked in Mahogany only)

Brick Mould?  Yes  No

Interior Casing?  Yes  No

Adjustable Sill Color?  Bronze Aluminum  Mill Aluminum

Hinge Finish?  Satin Nickel  Flat Black  Oil Rubbed Bronze

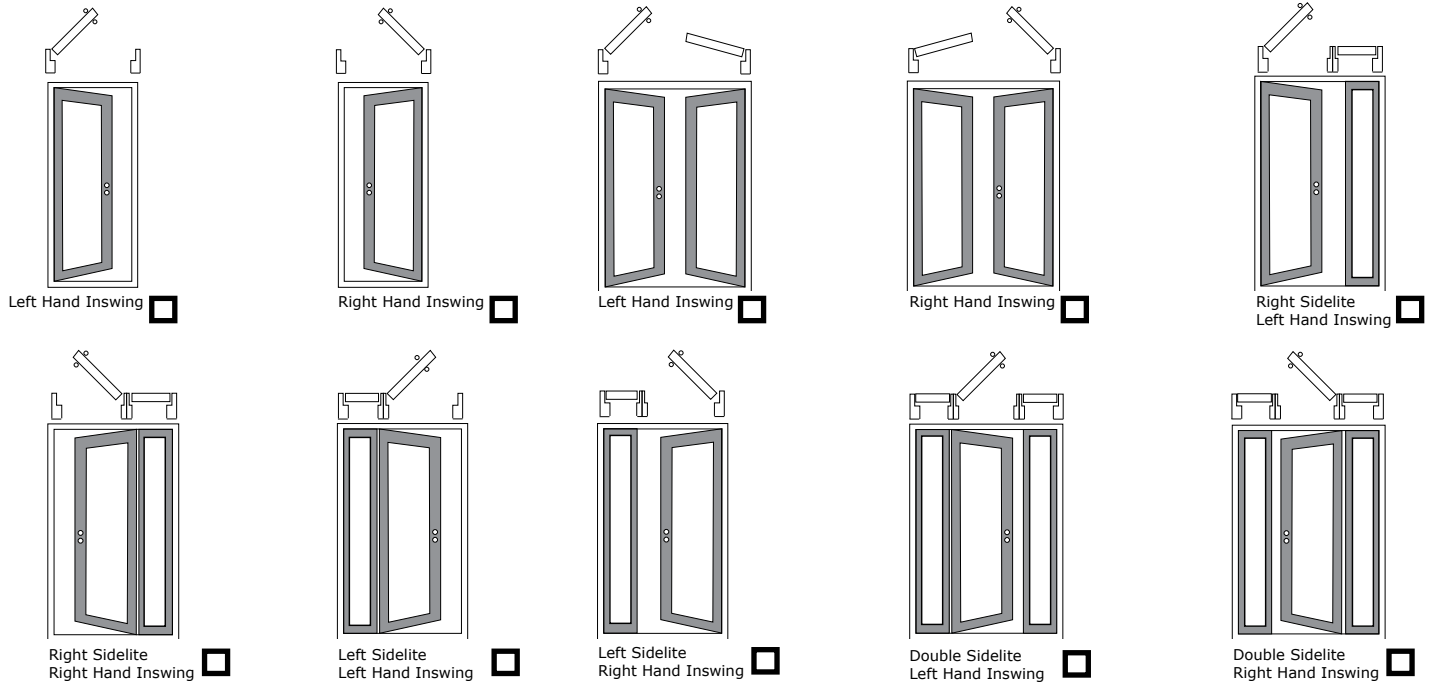
See Page 2 for pre-hung handing configurations.

\* PLEASE NOTE: Sub Casing, Brick Mold and Interior Casing are shipped uninstalled on pre-hung units.

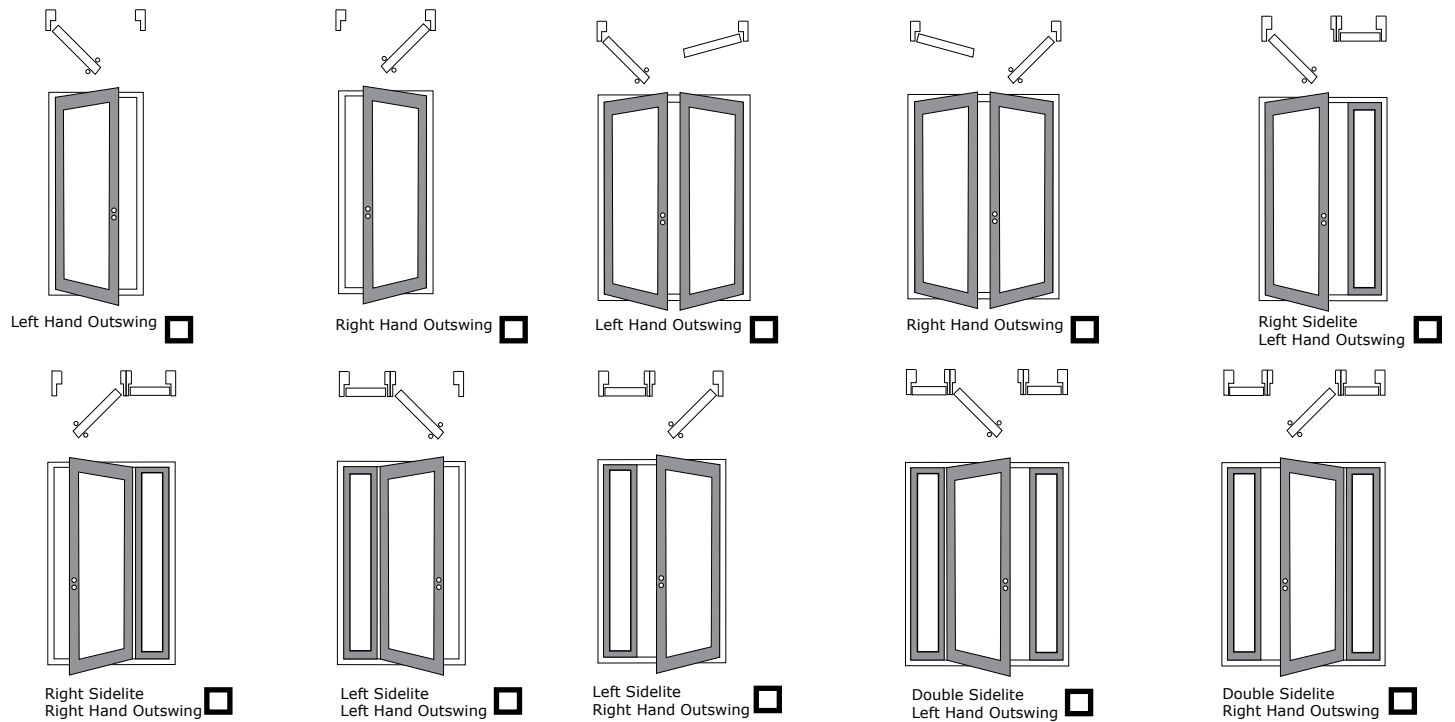
\*\*Some transom configurations have installed Sub Casing and Brick Mold.

# Please select your pre-hung handing configuration:

## Inswing Configurations



## Outswing Configurations



Additional information or special instructions:

---

---

Section 3: Pre-hung Information (Continued): Hardware Preparation Information

GlassCraft Multipoint Lock Prep?	<input type="checkbox"/> No	<input type="checkbox"/> Yes	Handle Set Part Number _____
Latch set bore?	<input type="checkbox"/> No	<input type="checkbox"/> Yes	
If yes, select bore distance: (For standard lock sets only.)	<input type="checkbox"/> 2 <sup>3</sup> / <sub>8</sub> "	<input type="checkbox"/> 2 <sup>3</sup> / <sub>4</sub> "	
Dead bolt bore?	<input type="checkbox"/> No	<input type="checkbox"/> Yes	
If yes, select bore diameter: (For standard lock sets only.)	<input type="checkbox"/> 2 <sup>1</sup> / <sub>8</sub> " Bore	<input type="checkbox"/> 1 <sup>5</sup> / <sub>8</sub> " Bore	
Center to center distance:	<input type="checkbox"/> 5 <sup>1</sup> / <sub>2</sub> "	<input type="checkbox"/> Other _____	

**Please Note:** Entryways with sidelites will be produced using a "fat boy" mull between the door and sidelites. This allows for a continuous sill to be installed.

Additional information or special instructions:

---



---



---



---



---



---



---



---

**Shipping Information:**

Entry will be picked up from GlassCraft assembled

Entry will be shipped K-D (knocked down) and crated

Entry will be shipped assembled and crated (Unit may not be completely assembled, depending upon configuration. Please inquire for more information.)

**GlassCraft use only:**

Received on: \_\_\_\_\_

Confirmed on: \_\_\_\_\_

Price quotation: \_\_\_\_\_

Estimated Ship Date: \_\_\_\_\_

CSR initials: \_\_\_\_\_

I accept this order.

---

Signature \_\_\_\_\_ Date \_\_\_\_\_

**Please note that changes or cancellations made to this order after signed confirmation is received by GlassCraft may result in additional charges.**