

GlassCraft Premium Fiberglass Pre-hung Entry Order Form 2012

Copy this form and email to:
doorsales@glasscraft.net
or fax to: 713-690-2919

Use this form to order any Fiberglass pre-hung entryway that is shown in our Premium Fiberglass Catalog. Be sure to use the stock number shown under the product drawing from the catalog or price list.

Company Name _____

Address _____

City, State, Zip _____

Contact Name _____ PO Number _____

Telephone _____ Contact's Email _____

Impact Approved? No (Standard) Yes (Impact product may extend leadtime and or increase price.)

Entryway Stock Number from Premium Fiberglass Catalog _____

Section 1—Size Information

Door Width is 3-0 2-8 Sidelite Width is None 1-0 1-2

Door Height is 6-8 8-0

Refer to sizes listed in price lists or catalog for availability of specific door widths for each entry configuration

Section 2—Pre-finish Information

Prefinished unit? Door & Frame Door Only/Unfinished Frame No (Unfinished)

If yes, which finish? **Estate Series:** Mocha Cranberry Sycamore

Artisan Series:

Antique Cherry: Chestnut Rosewood Pecan

Reclaimed Mahogany: Espresso Crimson Gunstock

Rustic White Oak: Coffee Hazelnut Ebony

Cottage Fir: Warm Hickory Brown Umber Black Suede

Pacific Knotty Alder: Rich Caramel Dark Toffee

American Black Walnut: Weathered Saddle Onyx

Section 3—Pre-hung Information

PLEASE NOTE: For Impact units please refer to the catalog for hardware selections.

Jamb Width? 4¹/₂" 6¹/₂"

Adjustable Sill Color? Bronze Aluminum Mill Aluminum

Hinge Finish? Satin Nickel Flat Black Oil Rubbed Bronze

Brick Mould ? Yes No

Glass Texture? GBG / Wrought Iron / SDL / Privacy Glass Clear Glass Rain Glass Fluted Glass

GlassCraft Multipoint Lock? No Yes Part # _____

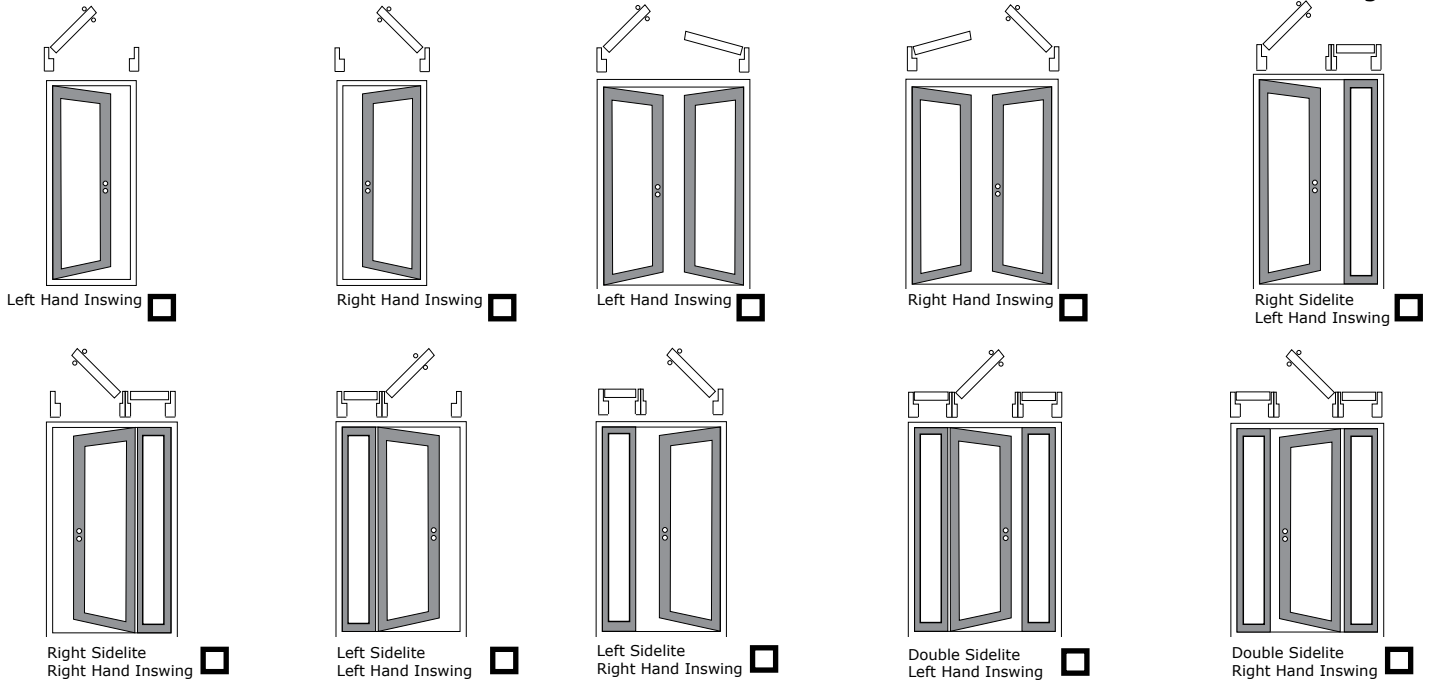
Double or Single Standard Lock Sets

Latch set bore? No Yes If yes, select bore backset distance: 2³/₈" 2³/₄"

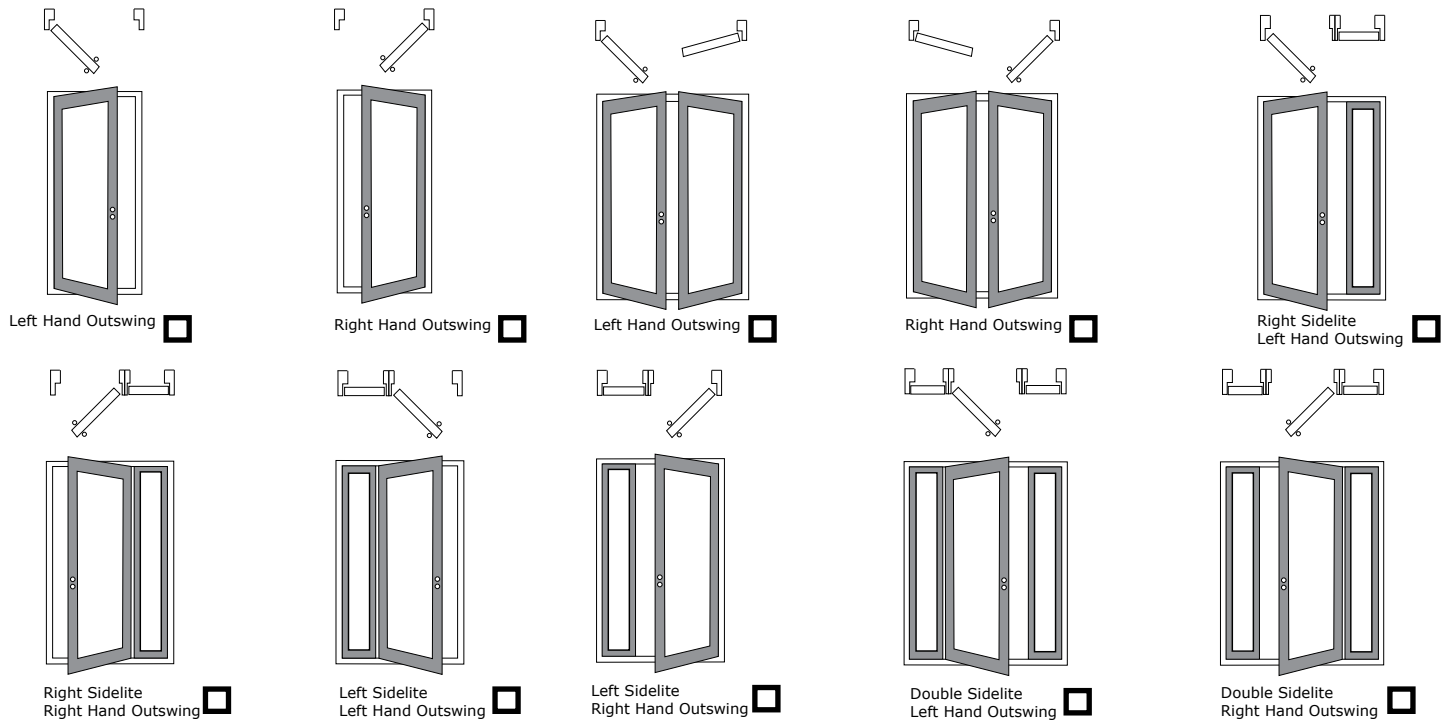
Dead bolt bore? No Yes Center to center distance: 5¹/₂" Other _____

If yes, select bore diameter: 2¹/₈" Bore 1⁵/₈" Bore

* PLEASE NOTE: Brick Mold is shipped uninstalled on pre-hung units.



Outswing Configurations



Shipping Information:

- Entry will be picked up from GlassCraft assembled
- Entry will be shipped K-D (knocked down) and crated
- Entry will be shipped assembled and crated (Unit may not be completely assembled, depending upon configuration.)

Received on: _____ **GlassCraft use only**

Confirmed on: _____

Price quotation: _____

Estimated Ship Date: _____

CSR initials: _____

I accept this order.

Signature _____

Date _____

Please note that changes or cancellations made to this order after signed confirmation is received by GlassCraft may result in additional charges.