

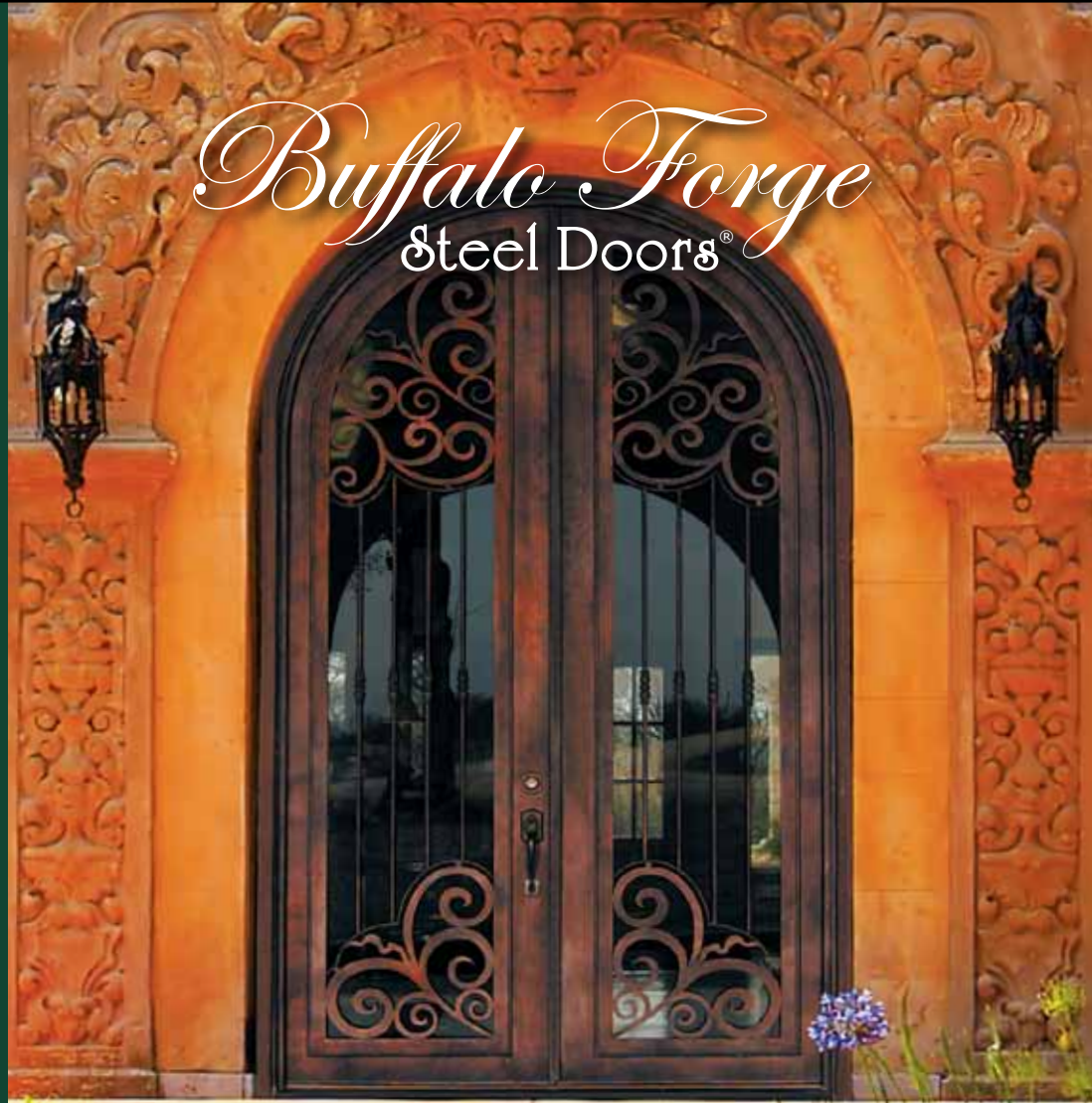
Please read and understand all installation instructions fully before unpacking, moving or installing any Buffalo Forge door or transom product.

Please read and follow all of the manufacturer's recommendations when using power tools.

Door and transom units, or any components of a Buffalo Forge product are extremely heavy. Please use the appropriate number of people when unpacking, moving or installing any Buffalo Forge product.

**DO NOT MOVE, UNPACK or INSTALL** any Buffalo Forge door or transom product by yourself. Each installation step requires a minimum of two people to perform.

**CAUTION:** This Buffalo Forge Product has been pre-finished, and will need to be protected at all times. Do not leave uncovered while the home or building is under construction. Paint, stucco or sheet rock mud can not be removed without affecting the finish. Please use the appropriate protection when moving or storing any Buffalo Forge product to protect the finish from any hard surface that may damage the product.



## Buffalo Forge Steel Doors®

To download a video version of this installation guide, please visit our website: [www.glasscraft.com](http://www.glasscraft.com)



### Required Tools & Equipment

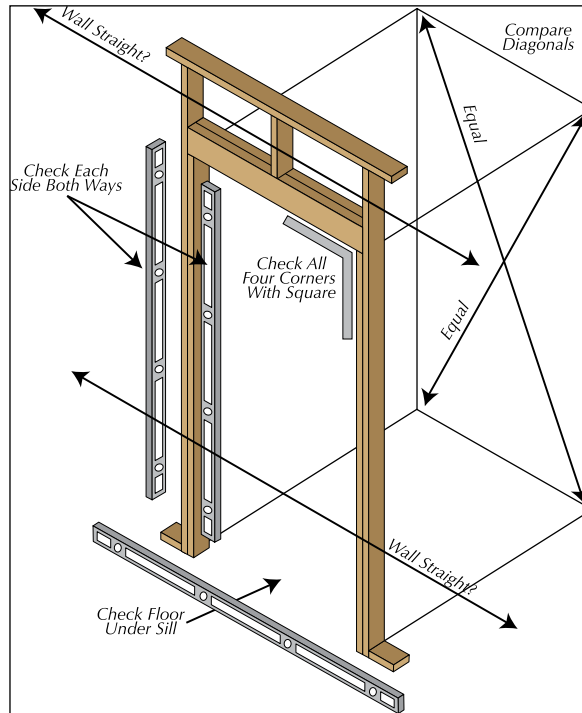
- 6 foot level
- 3 foot level
- Safety glasses
- Tape measure
- Utility knife
- Rubber mallet
- 2" Painters tape
- Exterior grade caulk
- Wood or composite shims
- Hammer
- Pry bar
- Electric screwdriver
- #2 Phillips head bit
- 5/8" Drill bit
- Flat head screwdriver
- Heavy grade dust sheet
- Phillips head screwdriver

# Buffalo Forge Installation — Preparation

## Step 1

### Check and Prepare the Rough Opening for Installation of the Buffalo Forge Door Unit

- Measure the rough opening to confirm that the rough opening is the correct size.
- The rough opening width must be 1" larger than the overall door frame width. The rough opening height must be ½" taller than the overall height of the complete door frame including the threshold. **(WARNING)** A larger than required rough opening will weaken the door installation and may cause personal injury, property damage or failure of the product.



- The sill must be level and clean to install the door. Check the sub floor or slab foundation to make sure it is level. **DO NOT PROCEED** to the next step until the door unit can be installed onto a clean and level surface. Scrape, sand or fill the sub floor or slab foundation with the appropriate material to ensure a clean and level sill.
- Check all framing to make certain that the framework is secure and will support the weight of the iron/steel door unit.
- Check the rough opening for plum and level using the 6 and 3 foot levels. The rough opening must be plum and level to install this door unit. Make any adjustments needed to ensure that the rough opening is plum and level.

■ **WARNING:** To avoid the potential for electrical shock, please make sure all electrical wiring next to the door unit is installed to code, and will not allow any exposed electrical wire to contact the door or frame.

## Step 2

### Unpack the Door Unit

- Remove the door frame from the packaging, being careful not to damage the frame or paint finish.
- Clean and inspect the Buffalo Forge door frame. Please dispose of all of the packaging materials responsibly, and always recycle when possible.
- Store the frame on a clean, flat floor surface covered with a heavy grade drop cloth until it is needed for installation.
- Remove the door from the packaging, being very careful not to damage the door panel or finish with scissors or a utility knife.
- Clean and inspect the Buffalo Forge door panel and glass frame. Please keep the packaging material to help protect the door from job site damage while construction continues. When disposing of any packaging material, please be responsible and always recycle when possible.
- Remove the glass frame from the door panel, and store the glass frame on a clean, flat floor surface covered with a heavy grade drop cloth until this part is needed for installation. Open the glass frame 90 degrees, and lift upwards to remove the glass frame from the door panel. You will need at least two people to lift and remove the glass frame from the door panel.
- Store the door panel on a clean, flat floor surface covered with a heavy grade drop cloth until this part is needed for installation.

■ **WARNING:** Please contact your GlassCraft sales representative if you find any damage when unpacking the product. **DO NOT PROCEED TO THE NEXT STEP.** GlassCraft will not cover any costs to remove or reinstall any damaged GlassCraft Product.

## Step 3



- Recheck the rough opening and confirm all rough opening and unit measurements are correct and the rough opening is plum and level. Install three 3/8" caulk beads along the length of the sill and 6" up each stud. **CAUTION:** Please use an exterior grade caulk designed for window and door weatherproofing.

## Step 4



- Install door frame into the rough opening, centering the door frame in the rough opening and aligning it with the interior or exterior finish wall surface. Place one temporary #14 3" screw at each hinge location.



## Step 5

- Check threshold for level and adjust as necessary. The threshold must be installed on a level in order to assure the proper operation of the finished door unit. When the threshold has been leveled, please do not walk or place any weight onto the threshold until the caulk has fully set.



## Step 6

- Place shims at each hinge location, and adjust the frame until it is level and plum. Continue to place shims and #14 3" screws at each predrilled screw location. When all install screws have been installed, please recheck for level and plum and tighten all install screws.



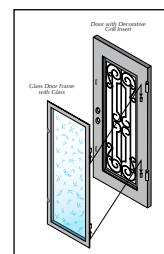
## Step 7

- Reinstall the door panels onto the frame. Using a 3-in-1 oil, lightly coat the hinge pins and install into the hinge knuckles located on the door frame. To install door panel, lift the door panel and lower the door hinges onto the frame hinge pins. You may find it easier to hold the door panel at a 90 degree angle, have one person align the hinge pins, and at least two people lift and lower the door panel into place. Repeat for each door panel.



## Step 8

- With all the door panels installed, please check the door unit for proper operation and alignment. Adjust any install screws or shims to maintain the correct operation and alignment of each door panel. Check and retighten all install screw locations as necessary.



## Step 9

- Reinstall the glass panels onto each door panel. Using a 3-in-1 oil, lightly coat the glass frame hinge pins. To install glass panel onto the door panel, lift the glass panel and lower the glass panel onto the hinge pins located on the inside of the door panel. You may find it easier to hold the door panel at a 90 degree angle, have one person align the hinge pins, and at least two people lift and lower the door panel into place. Repeat for each door panel.

**CAUTION:** All glass frames must be installed on the interior of the building to ensure proper operation.



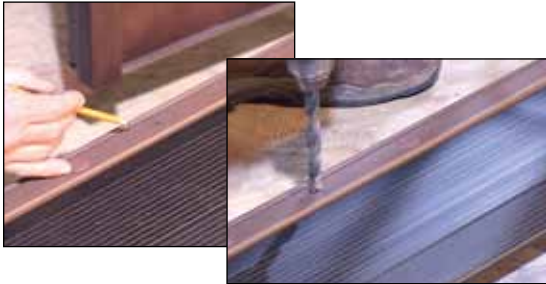
## Step 10

- With all the door panels and glass installed, please check the door unit for proper operation and alignment. Adjust any install screws or shims to maintain the correct operation and alignment of each door panel. Check and retighten all install screw locations as necessary.



### Step 11

- To anchor the threshold to the sub floor or slab foundation, remove the adjustable sill cap cover. You can remove the cover by using a small pry bar, then install the #8 3" screws through the threshold into the sub floor. Recheck the sill for level, adjust as needed and replace the adjustable sill cap cover using the rubber mallet. When the threshold has been leveled, please do not walk or place any weight onto the threshold until caulk has fully set.



### Step 12

- Mark the adjustable threshold for the location of the bottom flush bolt, located on the passive door panel. Please make sure the passive door is fully closed when marking the center of the flush bolt pin location. Drill a hole through only the top layer of the adjustable sill cap cover using the 5/8" drill bit. Close the passive door and check for proper operation of the flush bolt, adjusting as needed.



### Step 13

- Reinstall the compression weather stripping into the jamb kerfs; the weather stripping does not need to be glued into the frame. Apply light pressure along the length of the weather stripping. If the weather stripping will not push into the kerfs please remove, clean the kerfs and reinstall the weather stripping.

### Step 14

- To install lockset, please follow the manufacturer's lockset install guide provided with your hardware. The door has been predrilled for a standard double bore lockset with two holes 2 1/8" diameter at 5 1/2" center to center and a 2 3/4" backset through the face of the door panel. The latch bore holes are 1" in diameter. Lockset must fit a 1 1/2" thick door panel.

## Troubleshooting

### Troubleshooting A

- **Doors rub against jamb or are not even with each other at the top or bottom:** Typically caused by frame not being square or level (Racked). Remove doors, back out screws and add and remove shims to adjust.
- **Doors hit each other during operation:** One or both jamb legs may be twisted. Remove doors, back out screws and adjust jamb legs back into adjustment.
- **Doors are not completely flush with jamb:** Jamb frame could be out of plumb or not vertically straight. Check with level or plumb bob. Remove doors and back out screws to make adjustments. (These adjustments are most critical on the Round Top and Arch Top doors.)

### Troubleshooting B

- **Glass door frame offers resistance when being closed:** This may be due to the compression seal that is around this frame. It is being compressed against the door leaf. This should not affect the performance of the glass frame and will decrease with use.
- **Glass door frame is difficult to swing:** Remove glass door, check hinge knuckles for debris or paint build up. Remove with rolled up sand paper, lightly oil and reinstall.

## Installing a Transom on an Installed Door Frame

- Apply two small 1/4" beads of 100% black silicon along the top of the door frame. Place the transom frame on top of the installed door frame.
- Using the supplied 1/4" barrel nut and screws, install the transom to the frame. Place the barrel bolt through the transom frame and the screw through the door frame.
- Place shims at each install screw location and adjust the transom frame until it is level and plum in the rough opening.
- Apply a small 1/4" bead of 100% black silicon around the interior transom glazing bead. Install the transom glass panel using provided screws.